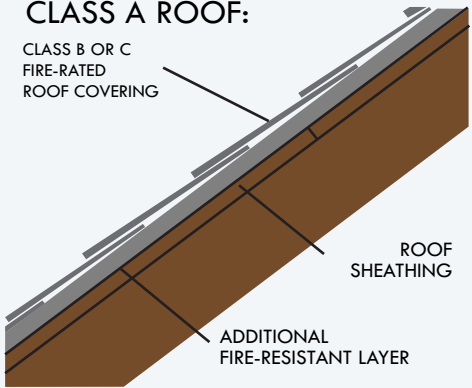


HOME HARDENING

CLASS A ROOF:

CLASS B OR C
FIRE-RATED
ROOF COVERING

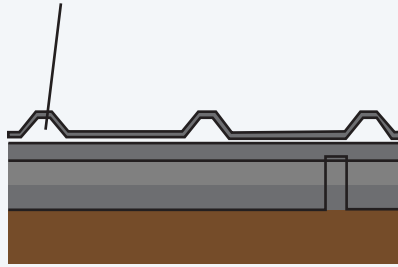


ROOF
SHEATHING

ADDITIONAL
FIRE-RESISTANT LAYER

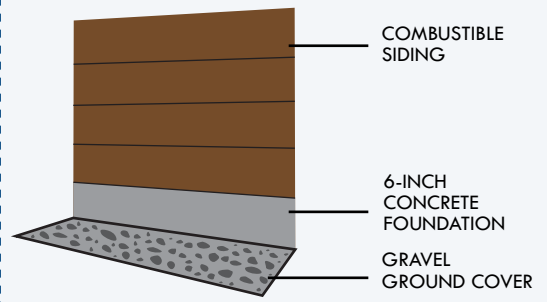
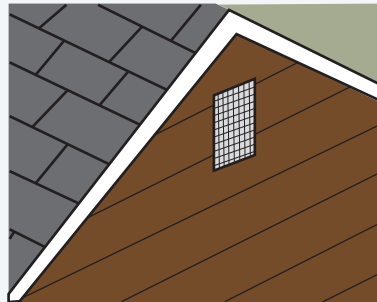
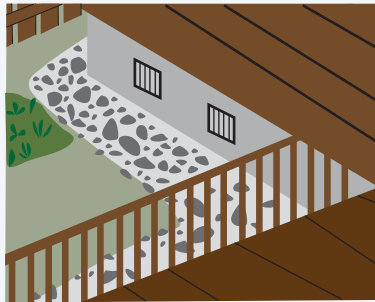
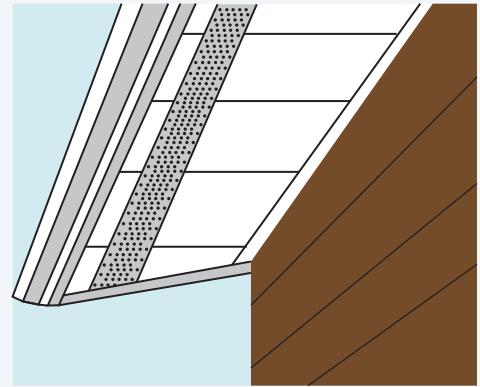
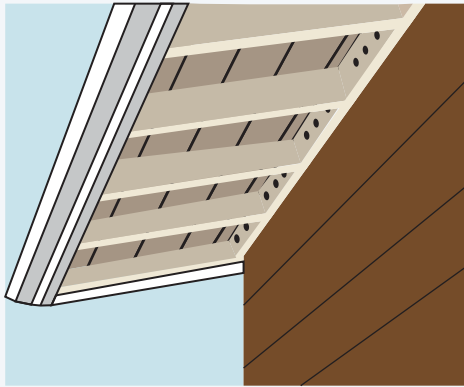
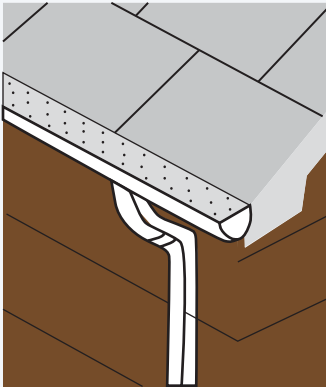
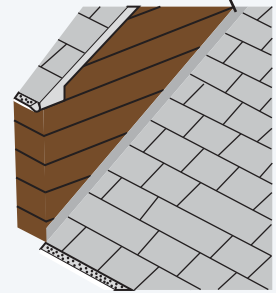
METAL ROOF:

FILL THIS SPACE WITH A
NONCOMBUSTIBLE MATERIAL,
SUCH AS A MINERAL WOOL
INSULATION PRODUCT



ROOF EDGES:

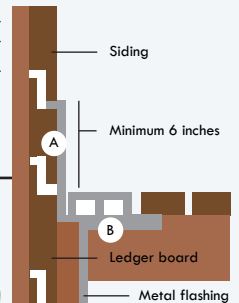
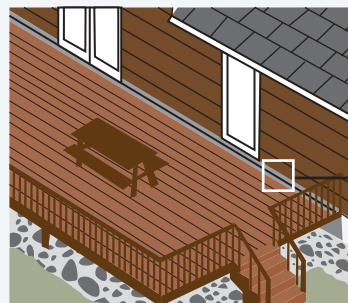
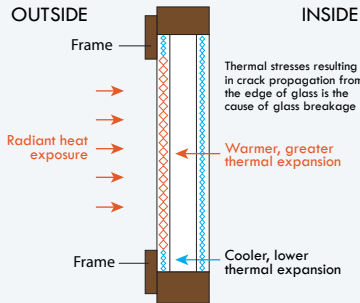
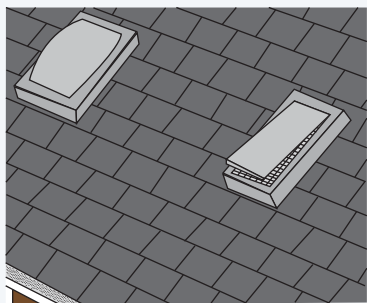
KEEP ROOFS CLEAR OF VEGETATIVE
DEBRIS AND INSTALL METAL FLASHING
AT ROOF-TOWALL INTERSECTIONS.



COMBUSTIBLE
SIDING

6-INCH
CONCRETE
FOUNDATION

GRAVEL
GROUND COVER



Siding

Minimum 6 inches

Ledger board

Metal flashing

